



# Master Series Griddle Range Attachment

Item: \_\_\_\_\_  
 Quantity: \_\_\_\_\_  
 Project: \_\_\_\_\_  
 Approval: \_\_\_\_\_  
 Date: \_\_\_\_\_

Master Series Griddle Range Attachment

### Models:

- M8S                       M8T

### 17" Range Attachment With Thermostat Controlled Griddle



Model M8S  
(Control panel not as depicted)

### Standard Features:

- Stainless steel front and sides
- Stainless steel door
- 6" (152mm) chrome steel adjustable legs
- 1" (25mm) thick Steel griddle plate with 33,000 BTU, (9.67 kW), "H" type burner
- 2-5/16" (59mm) high welded stainless steel splash guards, sides back
- Clip on stainless steel back-splash for griddle plate
- Removable stainless steel grease drawer
- Thermostat control with embedded capillary line sensors
- Aluminized steel under all cooking, surfaces
- Storage base interior of aluminized steel

### Optional Features:

- Celsius dial for griddle thermostat (NC)
- Stainless steel main back
- Stainless steel common front rail

up to 102" (2591mm) wide (two or more units in a battery)

- Fully grooved griddle, (or grooved section)
- Rear gas connection, 3/4" or 1" NPT
- End caps and cover (NC, specify)
- Gas regulator 3/4" or 1-1/4"
- Gas shut off valve; 3/4", 1" or 1-1/4" NPT
- Gas flex hose & quick disconnect (3/4", 1" or 1-1/4" NPT x 5') w/restraining device, please specify
- Set of (4) Polyurethane non-marking swivel casters w/front brakes
- Modular stand, (T model)
- Dais base, (S model)
- 6" (152mm) stainless steel adjustable legs
- Stainless steel tubular high shelf, single or double deck
- Stainless steel backguard: 10" (354mm), 17" (432mm) or 33" (838mm) H

### Specifications:

The 1" (25mm) thick steel griddle plate is 17" wide x 24-3/4" deep, (433mm x 629mm) and bordered by side and rear continuous-welded stainless steel splash guards. The 33,000 BTU, (9.67 kW), "H" burner controlled by a thermostat provides uniform heat. Heavy gauge aluminized steel radiation baffle requires no fire brick, heats evenly, increases thermal efficiency. Natural or propane gas, Model M8T



NOTE: Attachments supplied with casters must be installed with an approved restraining device.



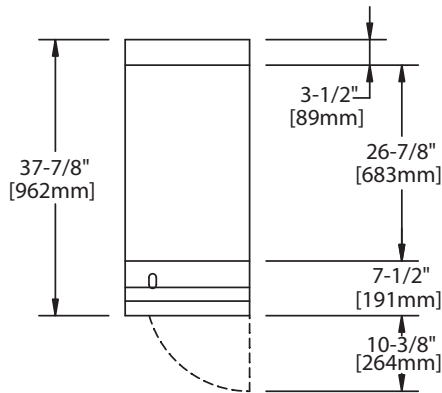
Product	Width: In(mm)	Depth: In(mm)	Height: In(mm) (w/ NSF Legs)	Height: In(mm) (w/o NSF Legs)	Shipping	
					Cu Ft	(Lb/Kg)
M8S	17(432)	38(965)	36-1/4(924)	30-1/2(777)	26	260/118
M8T	17(432)	38(965)	36-1/4(924) w/stand*	9-1/2(241) w/o stand*	9	155/70

\*Modular top has 1-1/2" seating flanges.

INPUT SPECIFICATIONS	M8S	M8T
Input	33,000 BTU (9.67 kW)	33,000 BTU (9.67 kW)
Inlet/Manifold Size	1-1/4" NPT	1-1/4" NPT

S=Modular Top Attachment w /storage base, T=Modular Top w/o storage base (optional stand available)

INSTALLATION NOTES		
Combustible Wall Clearances <sup>1</sup>	Entry Clearances	Manifold Operating Pressure
Sides: 14" (356mm) Back: 6" (152mm)	Crated: 22 1/4" (565mm) Uncrated: 17-1/4" (438mm)	Natural: 6" WC (15mbar) Propane: 10" WC (25mbar)

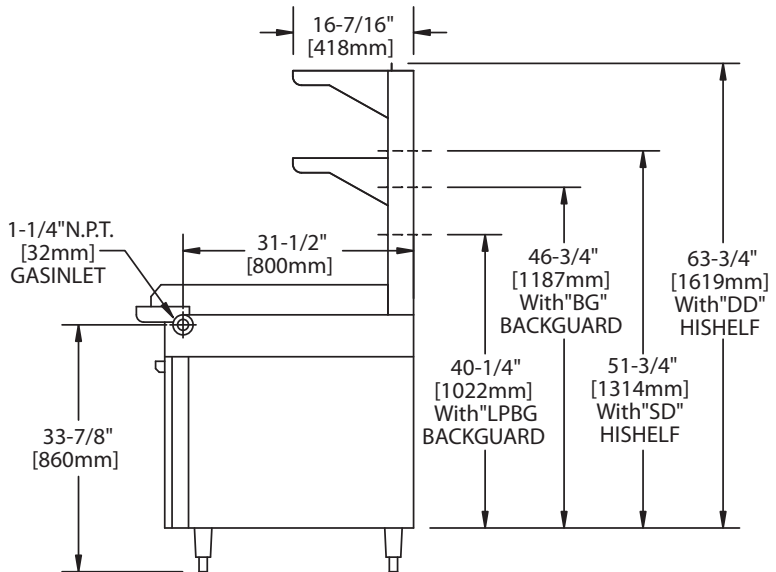
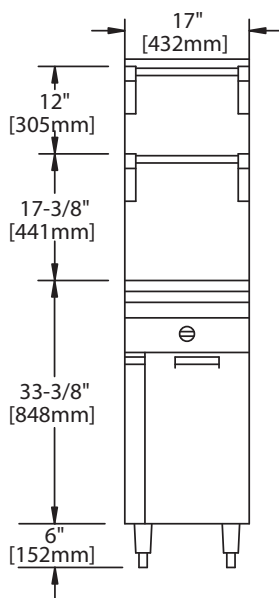


<sup>1</sup>NOTE: Installation clearance reductions are applicable only where local codes permit.

Data applies only to North America

Gas input ratings shown here are for installations up to 2,000 ft. (610m) above sea level. Specify altitudes over 2,000 ft. Please specify gas type when ordering.

Garland/U.S. Range products are not approved or authorized for home or residential use, but are intended for commercial applications only. Garland / U.S. Range will not provide service, warranty, maintenance or support of any kind other than in commercial applications



Form# M8 (04/09/13)